

WAXCO®



EUREKA

LOADER OR UNLOADER WITH CASSETTE



EUREKA 100
EUREKA 50

WAXCO®

P.I. COVA SOLERA
AV. SUCARRATS, 100
E-08191 RUBÍ (BARCELONA)
TEL. ++34.93 586 10 10
FAX ++34.93 586 10 12
waxco@waxco.com
www.waxco.com

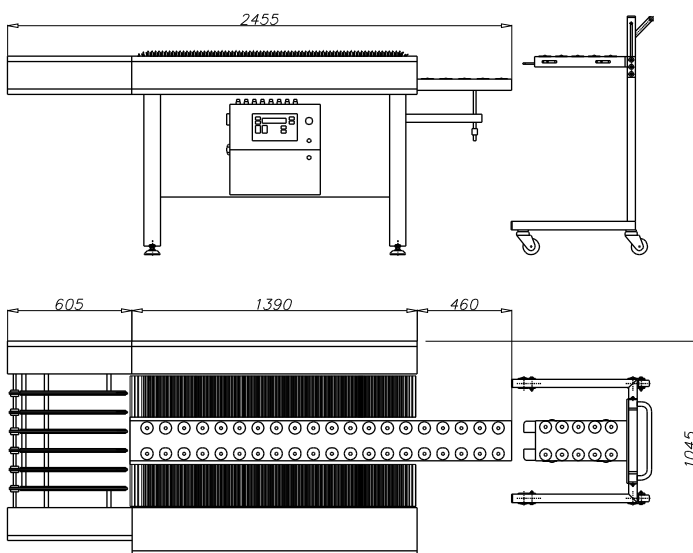
CHARACTERISTICS

- A fully automatic machine, for feeding or collecting printed circuit boards by cassetts of 30 PCB's.
- Variable speed.
- Unloads without stopping.
- No need to make adjustments for different board thicknesses.
- Robust motor with precise positioning.
- Synchronised proximity switch.
- Control by PLC
- **EUREKA DUAL heavy:** Specially adapted to combine standard boards up to 3,2 mm. and backpanels up to 5.0 mm. (0,196")
- **EUREKA 5.2 heavy:** Boards up to 5.0 mm (0,196")

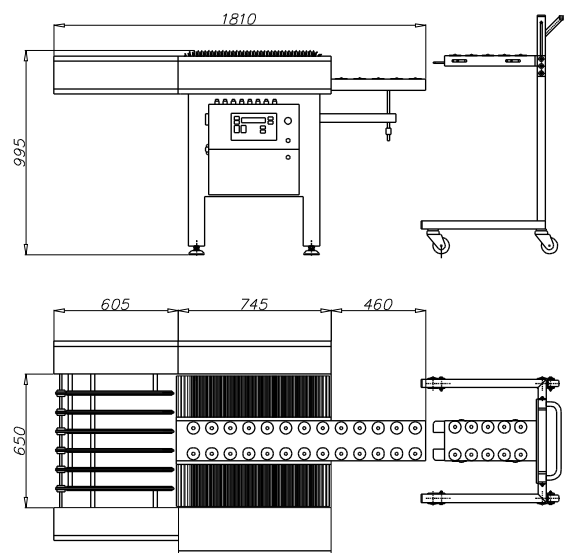
OPTIONS

- WAXCO CONVEYOR, infeed and/or outfeed conveyer belt.
- Additional variable height trolley.

TECHNICAL DETAILS	
Min. board size	230mm (9") x 300mm (12")
Max. board size	610mm (24") x 610mm (24")
Max. board thickness	3,2mm (0,126")
Min. board thickness	Depends on size and rigidity of material used.
Standard speed	0 - 8 m.p.m.
Electrical data	220V. Monof. 50 Hz. / 7 Amps.
Control circuit	24 Volt.



EUREKA 100 + conveyor



EUREKA 50 + conveyor