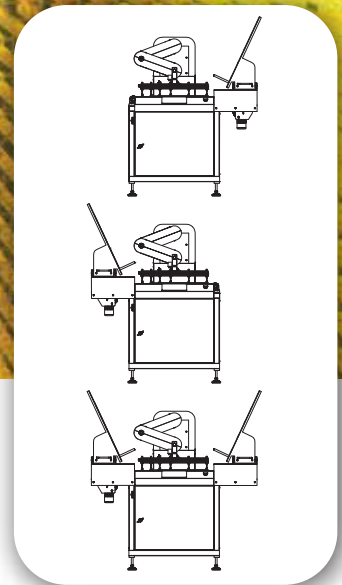
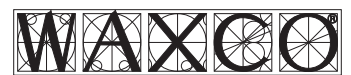


# RoboWax<sup>TM</sup>



▶ Robowax is a machine that mixes versatility with the latest technology introduced by Waxco.

This machine is a semi-vertical Loader/Unloader/Buffer station for a wide range of boards, with no need for adjustment as the thickness of the PCBs vary from 0.1mm upto 3.2mm. An Easy Touch-Screen configuration to enable fast modifications and problema resolving. PLC entry and exit system for a control of the functions of the machine. With possibility to work with interleaves as an Inserter or Extractor enabling the addition in any part of the line due to the small nature of the machine for easy placement.



P.I. COVA SOLERA  
AV. SUCARRATS, 100  
E-08191 RUBÍ (BARCELONA)  
TEL. ++34.93 586 10 10  
FAX ++34.93 586 10 12  
waxco@waxco.com  
www.waxco.com